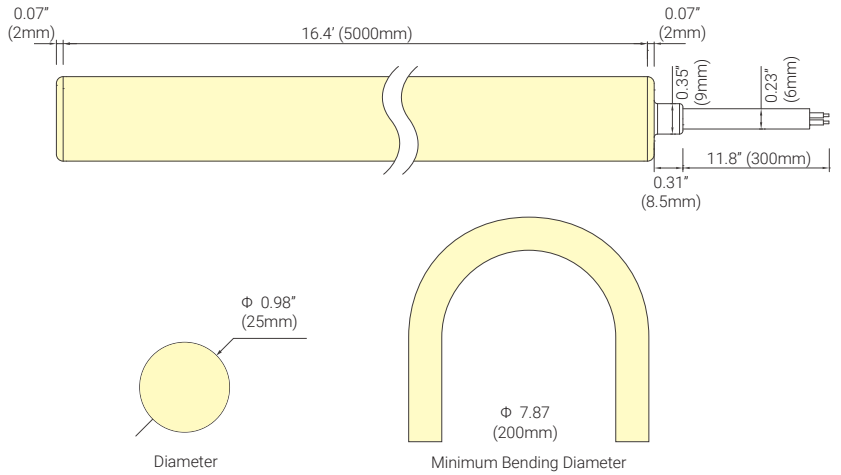


PROJECT: _____ TYPE: _____ QUANTITY: _____



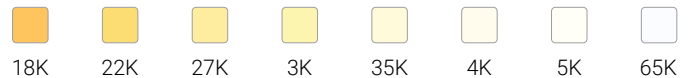
CCT	18K, 22K, 27K, 3K, 35K, 4K, 65K, RGB, RGBW, RGBA, 18K-27K, 22K-3K, 27K-3K-4K, CUSTOM
CRI	Ra93
Control	0-10V, ELV, SWITCH, DMX, SPI
Optical Distribution	360°
Storage Temperature	-25°C/ -13°F min, 60°C/ 144°F max
LED PIN Temperature	Max 65°C/ 149°F
SMD Type	2835/5050
Dimensions	Diameter 0.98" Length 1'-16'
Applications	IP66, Architectural, Landscaping, Decorative
Voltage	24V, 48V DC
Warranty	5 years

Lumen Output	84lm/ft - 179lm/ft
Standard Output	1.01w/ft - 3.05w/ft

FIXTURE RUN LENGTHS

Max Run Length	16'
----------------	-----

WHITE LIGHT



STATIC



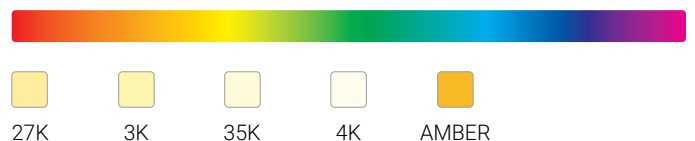
DIM TO WARM + DMX



TUNABLE + DMX



RGB + RGBW DMX







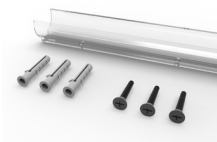
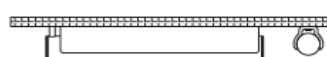

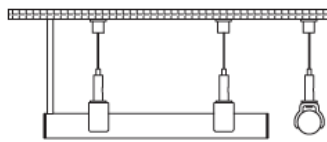

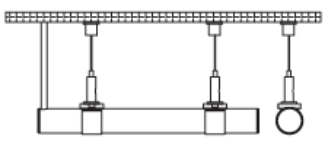

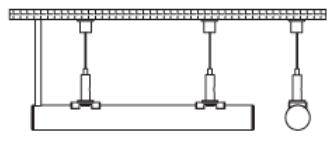

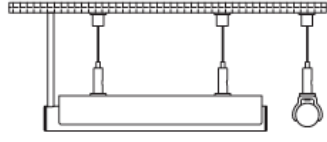

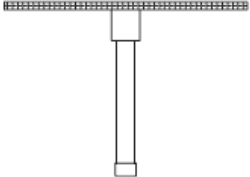


STANDARDS & CERTIFICATIONS




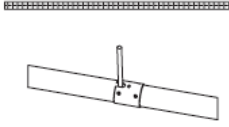

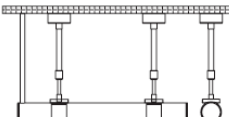

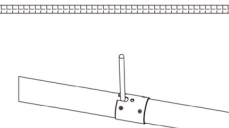
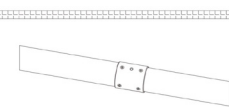
Tested to UL & CSA by Intertek For Use in USA & CANADA.

PROJECT: _____ TYPE: _____ QUANTITY: _____

	<p>P36021 Surface mount bracket Clear open clip</p>	
	<p>P36022 Surface mount bracket Clear closed clip</p>	
	<p>P36023 Surface mount bracket Clear, low profile clip</p>	
	<p>P36024 Surface mount bracket PC channel</p>	
	<p>P36025 Suspended mount bracket Clear open clip</p>	
	<p>P36026 Suspended mount bracket Clear closed clip</p>	
	<p>P36027 Suspended mount bracket Clear, low profile clip</p>	
	<p>P36028 Horizontal suspended mount bracket PC channel</p>	
	<p>P36029 Vertical metal flush mounting bracket</p>	



PROJECT: _____ TYPE: _____ QUANTITY: _____

	<p>P36030 Metal flush mounting bracket for U shape</p>	
	<p>P36031 Vertical pendant suspended mount bracket</p>	
	<p>P36032 Metal Joiner bracket for integrated end cap Side cable entry only</p>	
	<p>P36033 Metal Joiner bracket for end cap</p>	
	<p>P36034 Telescoping bracket with clear open clip</p>	
	<p>P36035 Telescoping bracket with clear closed clip</p>	
	<p>P36036 Telescoping bracket with clear, low profile clip</p>	
	<p>P36037 Telescoping bracket with clear PC channel</p>	
	<p>P36038 Clear Joiner bracket for integrated end cap-side cable entry only</p>	
	<p>P36039 Clear Joiner bracket for end cap</p>	



PROJECT: _____ TYPE: _____ QUANTITY: _____

ORDER CODE

MODEL	WATTAGE	VOLTAGE	FUNCTION	OPTICS	CABLE ENTRY	LENGTH	APPLICATION					
PN360				360								
PN360	STANDARD OUTPUT	24V DC 48V DC	24V 48V	18K 22K 27K 3K 35K 4K 65K RGB RGW RGBA 18K-27K 22K-3K 27K-3K-4K CUSTOM	18 22 27 3 35 4 65 RGB RGW RGBA 18K27K 22K3K 27K3K4K C	360°	FRONT SIDE	F S	1ft 2ft 3ft 4ft 5ft 10ft 15ft 16ft	1 2 3 4 5 10 15 16	INTERIOR EXTERIOR	INT EXT